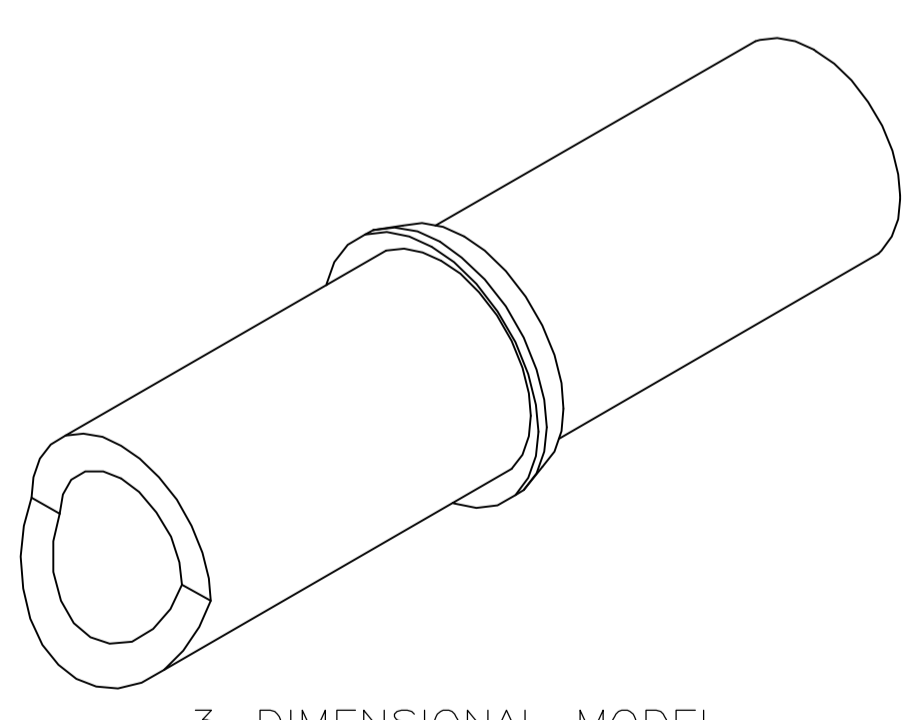
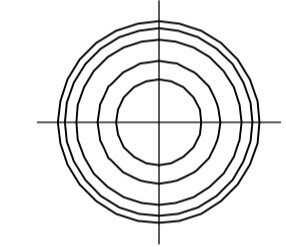
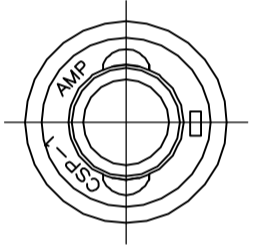
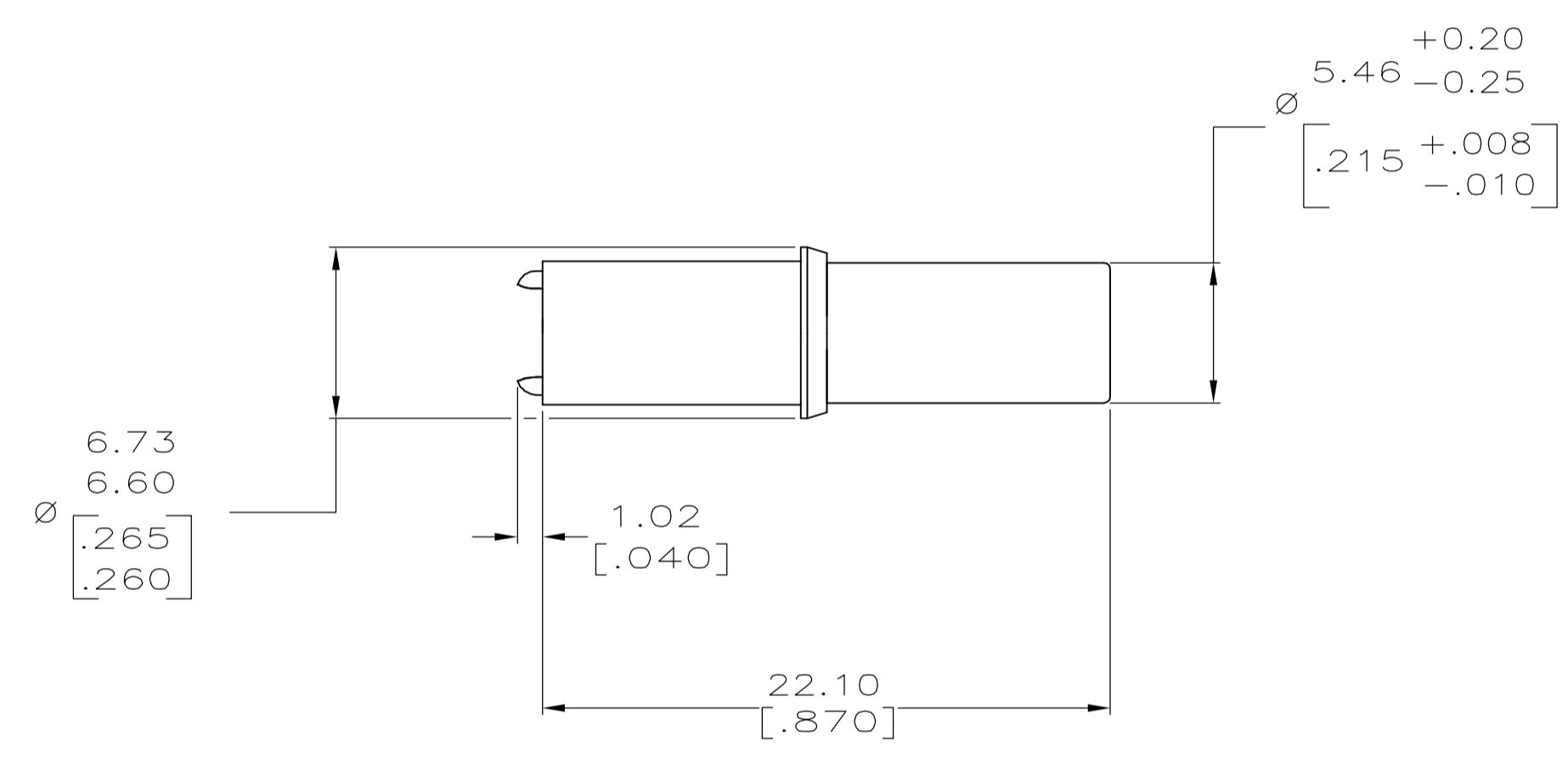
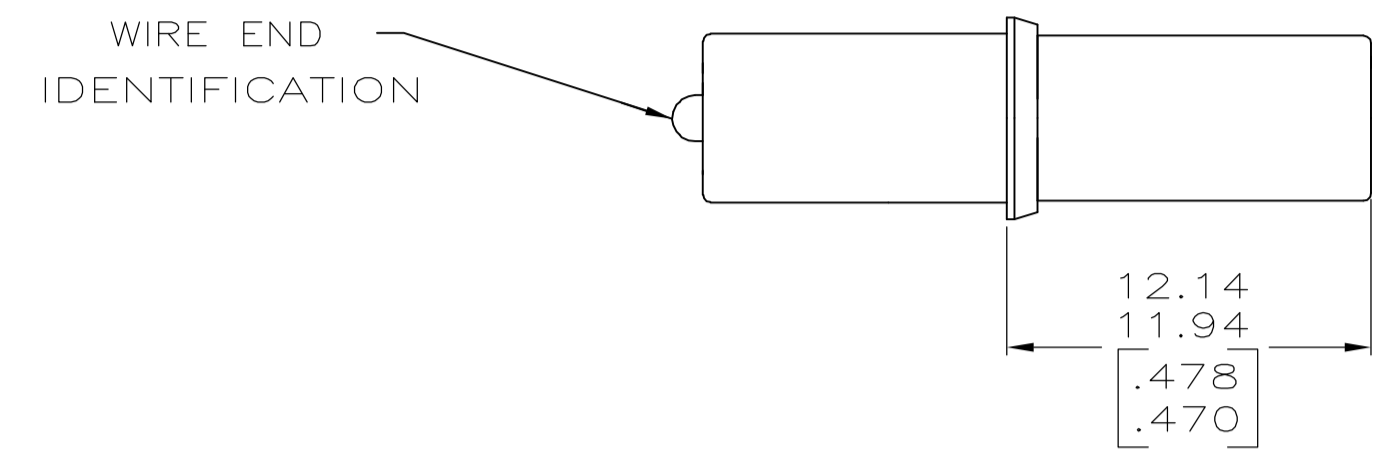
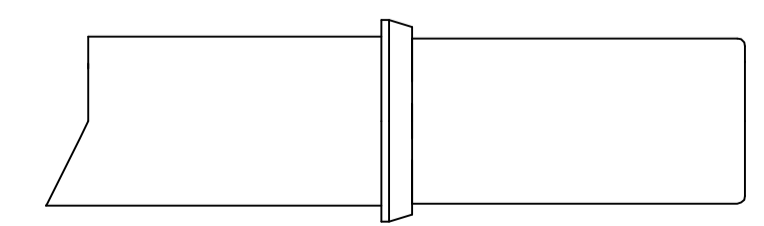
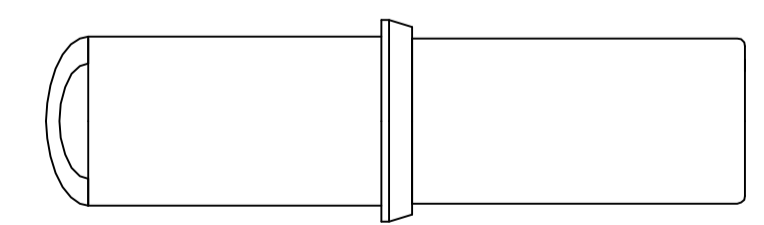


LOC		DIST		REVISIONS			
P	LTR	DESCRIPTION	DATE	DWN	APP'D		
K		REVISED PER 0038-0271-05	10/26/05	SS	DC		

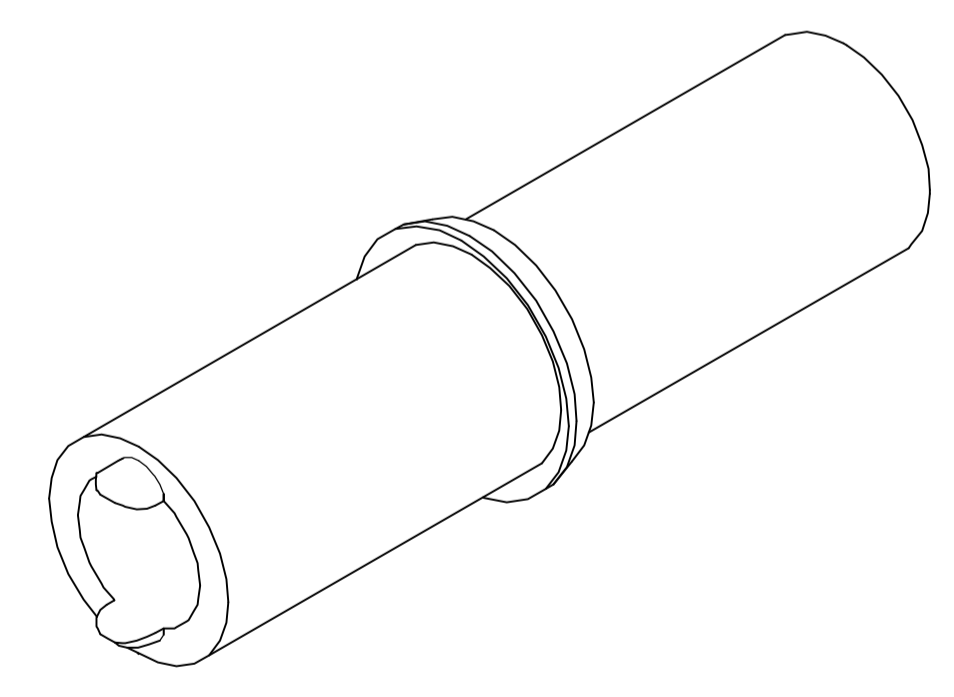
1. TO BE USED WITH APPROPRIATE COMMERCIAL MATE-N-LOK SOCKETS.
2. MATES WITH CAP 480350 OR 480351.
3. DIMENSIONS IN BRACKETS ARE IN INCHES.



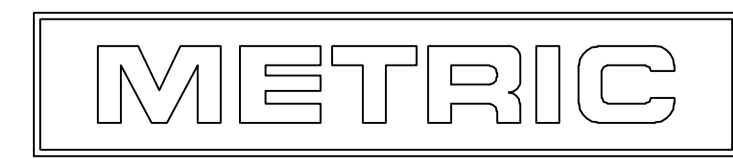
3-DIMENSIONAL MODEL
NTS



ALTERNATE CONSTRUCTION
(FOR FOREIGN PRODUCTION ONLY)



3-DIMENSIONAL MODEL
NTS



BLUE	1-480349-6
GREEN	1-480349-5
RED	1-480349-2
NATURAL	1-480349-0
COLOR	PART NO.

THIS DRAWING IS A CONTROLLED DOCUMENT

DIMENSIONS: INCHES 0 PLC ± - 1 PLC ± - 2 PLC ± 0.13[.005] 3 PLC ± - 4 PLC ± - ANGLES ± - FINISH -	TOLERANCES UNLESS OTHERWISE SPECIFIED: 0 PLC ± - 1 PLC ± - 2 PLC ± 0.13[.005] 3 PLC ± - 4 PLC ± - ANGLES ± - FINISH -	NAME: SALMON DATE: 3-8-94 CHK: SWING DATE: 3-8-94 APP'D:	Tyco Electronics Corporation Harrisburg, PA 17105-3608 TM PLUG, SINGLE CIRCUIT, SIZE: A1 CAGE CODE: 00779 DRAWING NO: 480349 WEIGHT: - RESTRICTED TO: - CUSTOMER DRAWING
---	--	--	--

SCALE: 4:1 SHEET 1 OF 1 REV K